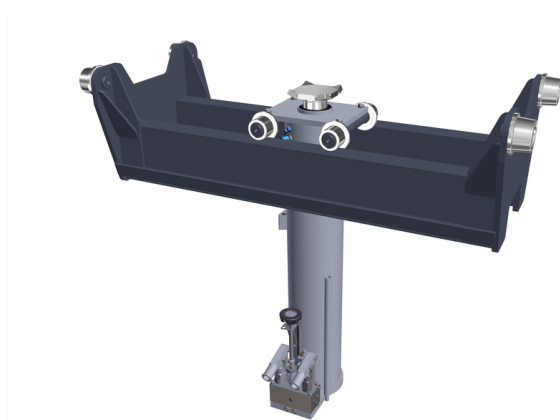


LIFTING TECHNOLOGY

PIT JACK

MPJ 20.0/750 1S HM
VP 454285



MPJ 20.0/750 1S HM

VP 454285

The pit jack, which is mounted in a suspended position, lifts up to 20.0 t.

The overhead rail pit jack, with deep-drawn chassis and long 750 mm stroke, is suitable for work with or without axle crossbeams and support systems. The manual hydraulic drive can be expanded with a pneumatic speed control function for fast piston rod movement. For lifting under load, an air motor can be additionally installed. The chassis is made to measure.

PRODUCT DETAILS/ACCESSORIES

1-stage telescopic, rail-guided, suspended

Description:

Manual pit jack with hand pump for load lifting
Specifically for wheel and brake works and dismantling smaller assemblies in conjunction with axle lifting beams and support systems for trucks and buses with 20.0 t load capacity

Control:

- Precision, user-friendly hand pump for fast stroke and lift
- Delicate and precision lowering of the pit jack with tried & tested system with integrated dead man's control

Design:

- For precise movement, the pit jack is rail-guided at the top edge of the pit
- Guarantees easy movement of the pit jack since all rollers are fitted with needle bearings crossways and lengthways
- Long total stroke of 750 mm to reach high-up units

- The pit jack is fitted with a downward deep-drawn P carriage for integrating an axle lifting beam at any height
- Alternatively, a straight S carriage can be used too
- Pit jack with custom-made carriage adapted specifically to the individual work pit based on dimension sheet in conjunction with different roller versions and degrees of clearance to adapt to the work pit circumstances
- Corrosion-resistant piston rods thanks to self-lubrication
- High-quality powder-coating protects against corrosive liquids and elevates quality look and feel on a lasting basis

Scope of delivery:

- Pit jack with hand pump
- Deep-drawn P carriage and rollers for rails
- Standard support lugs 120 x 120 mm
- Operating instructions
- EC conformity certificate
- Colour: Jack base frame RAL 7040
 - Attachments and carriage RAL 7016

TECHNICAL DATA

Load capacity (CE)	20,000 kg
Stroke distance	750 mm
Lifting levels	1
Min. pick-up height from roller slide rail	- 86 mm
Pit jack depth for roller slide rail	1000 mm
Max. lifting height above roller slide rail	681 mm
Slide rail width inner dimensions	700 1200 mm
Carriage adjustable range	Made-to-measure
Roller rest width	40 mm
Roller rest incline	8 % / 4.6°
Max. parallelism deviation slide rails	10 mm
Roller diameter (at the flange)	80 (95) mm

LIFTING TECHNOLOGY PIT JACK

MPJ 20.0/750 1S HM
VP 454285



TECHNICAL DATA

Support diameter inside/outside	45/70 mm
Piston rod diameter	70 mm
Oil quantity/quality	15.3 l / HLP-D 10
Drive	Manual hydraulic
Operating pressure	308 bar
Weight	210 kg

ACCESSORIES

ACCESSORIES - CARRIAGE

- VZ 975605 Offset rollers for suspended pit jacks of up to 16.5 t -EXTRA CHARGE-
- VZ 975924 Cylindrical rollers for suspended pit jacks in pit profile rails
- VZ 975562 Special rollers f. suspended and rail-guided pit jacks -EXTRA CHARGE-

ACCESSORIES - TRAVERSES, SUPPORT BRIDGES, SUPPORT SYST.

- VZ 975670 Self-locking axle lifting beam with 14.5 t support system MODEL: SAT 14.5-760
- VZ 975813 Self-locking axle lifting beam with 14.5 t support system MODEL: SAT 14.5-820
- VZ 975622 Self-locking axle lifting beam with 14.5 t support system MODEL: SAT 14.5-910 STOCK
- VZ 975741 Self-locking axle lifting beam with 14.5 t support system MODEL: SAT 14.5-910L
- VZ 975743 SAT Rollers Retrofit Kit, Spring Mounted, with Plastic Rollers
- VZ 975814 SAT Wheel Deflector Plates (2 pcs)
- VZ 975820 Spacer Block for Support Systems SAT (65 x 110 x 320 mm)
- VZ 975903 Axle lifting beam up to 15 t Adjustment range max. 1010 mm MODEL: AT 15
- VZ 975688 Axle Traverse Length Variation
- VZ 975906 Axle traverse Long for busses, com. vehicles, 16.5t load cap. MODEL: AT 16.5 L1500
- VZ 975696 Axle Crossbar Load Capacity 3.5 t Model: ATV 3.5
- VZ 975925 Support bridge for axle traverses up to 14.5 t load capac. MODEL: TAB 15
- VZ 975326 Support Bridge AB w/o Centre Cut-Out up to 14,5 t Load Cpc. MODEL: AB 15
- VZ 975686 Support System Version D/F
- VZ 975687 Support System Version E

ACCESSORIES - LOAD LIFTING PADS, LIFTING PADS, EXTENDERS, SUPPORT TUBES

- VZ 975280 Narrow Lifting Pad, 20 t Load Capacity, galvanized, up to 100 mm (Pin Diameter 45 mm)
- VZ 975285 Large Lifting Pad, galvanized, Load Capacity 20 t MODEL: GP 175/20
- VZ 975283 Large Lifting Pad, galvanized, Load Capacity 16.5 t MODEL: GP 220

- VZ 975569 Pads with mushroom support N with pin diameter 45 mm MODEL: PS-N
- VZ 975409 Wooden Lifting Pad, 6 - 16 t Load Capacity, Prismatic Design, MODEL: HP 06-16
- VZ 975287 Lifting Pad w. Rubber Surface, 11 t Load Capacity MODEL: RPG 10
- VZ 975289 Plug-In Extender, L = 100 mm, MODEL: ZS 100/45
- VZ 975290 Plug-In Extender, L = 150 mm, MODEL: ZS 150/45
- VZ 975410 Plug-In Extender, L = 200 mm MODEL: ZS 200/45
- VZ 971221 Support Plate Extension 100 mm galvanized (2 pcs.) Diameter of supports 35 mm
- VZ 975330 Support Tube L = 400 mm, Load Capacity: 20 t (Pin Diam. 45 mm)
- VZ 975331 Support Tube L = 600 mm, Load Capacity: 20 t (Pin Diameter 45 mm)
- VZ 975571 Support Tube L = 800 mm, Load Capacity: 15 t (Pin Diameter 45 mm)
- VZ 975414 Spacer Block for Support Systems TAB (100 x 140 x 450 mm)
- VZ 975732 Gearbox Plate, Load Cpc. 1.0t Model: GP 1000
- VP 975915 Gearbox Mounting Tool with swivelling flat supports MODEL: GMT 800
- VZ 975916 Swivel supports for GMT 800 w. locking function
- VZ 975917 Angle clamp supports for GMT 800 with rubber pad
- VZ 975918 Semicircular flex supports for GMT 800 with rubber pads
- VZ 975611 Pit crossing continuously adjustable for pits w/o wheel guides
- VZ 975612 Pit crossing continuously adjustable for pits with wheel guides
- VZ 975613 Railings for pit crossing continuously adjustable

SUPPLEMENTARY CHARGES

- VT 998106 Transportkosten Grubenheber Abstütssystem, Getriebeplatten
- VT 998108 Transportkosten Abstütssystem, Getriebeplatten
- VM 996148 Montagekosten Grubenheber
- VV 997598 Packaging Suspended pit jack not stackable -EUROPE-
- VV 997599 Packaging Suspended pit jack stackable -EUROPE/OVERSEAS-
- VV 997601 Packaging Lifting beams, gearbox plates, stackable -EUROPE/OVERSEAS-