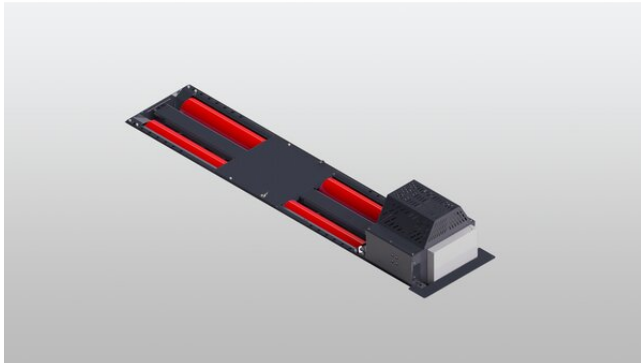


PERFORMANCE MEASUREMENT TECHNOLOGY ASM

ASM-P
VP 230046



ASM-P VP 230046

The ASM-P roller set is used in test centres and is suitable for vehicles with a single driven axle. It was designed for the exact measurement of the exhaust gas behaviour of vehicles during their transient emission test and permits a driving resistance simulation for the exhaust gas tests ASM-5015 and ASM-2525 (Acceleration Simulation Mode) in accordance with the specifications BAR '97. The increased tractive force of its eddy current brake means that the ASM-P is also suitable for power measurements at constant speed and constant tractive force.

PRODUCT DETAILS/ACCESSORIES

Description

- Transient emission testing for accurate analysis and measurement of emissions for vehicles under load (in conjunction with MAHA emission testers)
- Driving resistance simulation for ASM-5015 and ASM-2525 emission tests (Acceleration Simulation Mode) in line with the BAR '97 specifications

Roller Set Description and Standard Delivery

- Self-supporting closed roller set frame
- In-ground installation Foundation required for in-ground installation
- Pneumatic lifting bar
- Electric eddy-current brake with separate flywheel
- AC-Motor including control and power electronics
- Foundation cover plate
- Varnished with high-quality powder coating: Anthracite Grey, RAL 7016 (frame) Ruby Red, RAL 3003 (rollers)

Operating modes of the tester in conjunction with emissions analyser or external PC:

- *Driving resistance simulation for ASM-5015 and ASM-2525 emission tests (Acceleration Simulation Mode) in line with BAR '97 specifications
- Driving resistance simulation for transient emissions testing in line with standard test cycles (note: vehicle inertia simulation in deceleration mode limited to 2000 lbs (900 kg))
- Determination and compensation of equipment's own losses (Parasitic losses) according to BAR '97 specifications. Acceleration of the roller set with built-in AC-Motor to approx. 50 km/h with subsequent performance of roll-off tests (coast-down).
- Performance measurement (wheel power) possible in the operation modes:
 - constant speed
 - constant tractive force

- constant tractive force
- Control of equipment via serial interface RS232 (e.g. emissions analyser which meets BAR '97 specifications or external PC)
- Test bench is not CE-compliant delivery to non-EU countries only

\$ZI - Domestic intro trailer

The ASM-AF, ASM-BF and ASM-P roller dynamometers are designed

to the exact BAR '97 official emissions testing specifications of the Bureau of Automotive Repair, Sacramento, California.

The dynamometers are controlled exclusively via the serial interface RS 232. Dynamometer control takes place via LON nodes in conjunction with EUROSYSYSTEM. (Dynamometer calibration takes place via the service program and the RS-232 interface.) Operating modes, functions and settings can be selected with the PC of any emissions analyser which fulfils the US BAR '97 specifications.

\$ZA - International intro trailer

The ASM-AF, ASM-BF and ASM-P roller dynamometers are designed

to the exact BAR '97 official emissions testing specifications of the Bureau of Automotive Repair, Sacramento, California.

The dynamometers are controlled exclusively via the serial interface RS 232. Dynamometer control takes place via LON nodes in conjunction with EUROSYSYSTEM. (Dynamometer calibration takes place via the service program and the RS-232 interface.) Operating modes, functions and settings can be selected with the PC of any emissions analyser which fulfils the US BAR '97 specifications.

TECHNICAL DATA

Axle load	2700 kg
Roller set dimensions in-ground (L x W x H)	3640 x 932 x 450 mm

PERFORMANCE MEASUREMENT TECHNOLOGY ASM

ASM-P
VP 230046



TECHNICAL DATA

Min. track	740 mm
Max. track	2440 mm
Roller diameter	217 mm
Mechanical inertia	900 kg (2000 lbs)
Power supply	230 V 50 Hz
Fuse	20 A, slow-blow
Compressed air for lifting bar	6 - 10 bar
Min. testable wheel diameter	450 mm
Driving direction	bi-directional
Max. test speed	160 km/h
Max. wheel power	200 kW
Max. tractive force	6000 N
Vehicle inertia simulation	
Accelerationmode	(6000 lbs) 2700 kg
Deceleration mode	(2000 lbs) 900 kg
Adjustable increment	1 lb
Packaging dimensions (L x W x H)	4000 x 1100 x 1000 mm
.	approx. 1350 kg
Weight including packaging	approx. 1450 kg

ACCESSORIES

VZ 975139	Two Weighing Cells integrated in the Vehicle Lifting Device	VZ 911224	ASM-P Software Module Standard Power Measurement
VZ 975081	Side-Restraining Rollers (2 pcs.)	SUPPLEMENTARY CHARGES	
VZ 935288	Lashing Straps with Floor Anchor	VT 998165	Transport Werkverkehr -SÜDFPS, ASM Einachs
VZ 975897	Calibration Device ASM AF/BF	VT 998166	Transport Werkverkehr -NORDFPS, ASM Einachs
VZ 975898	Aufrüstung Kalibriervorrichtung für Waage -AUFPREIS-	VM 995010	Assembly costs after expenditure of time by hour.
VZ 910167	USB/RS 232 Converter for Connection to PC/ Laptop w/o. RS 232 Interface -NET-	VV 997554	Packaging charges for Adjusting device